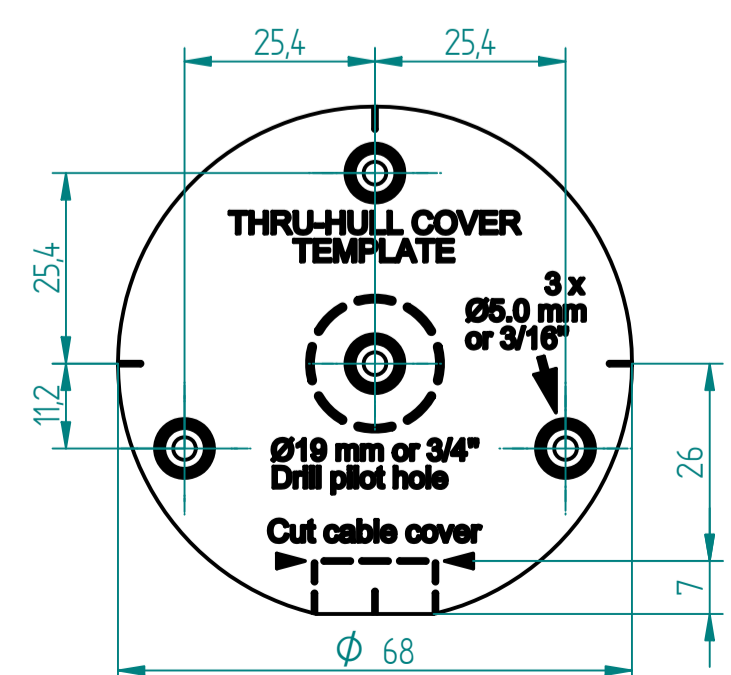
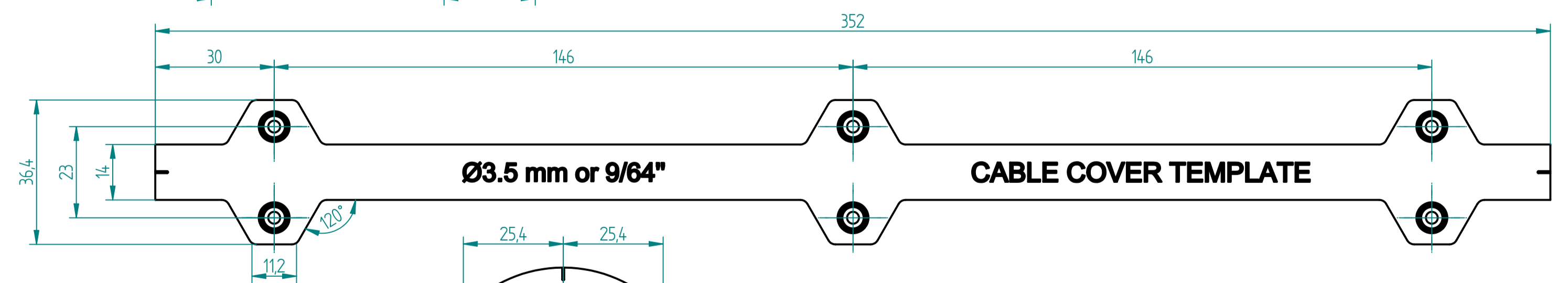
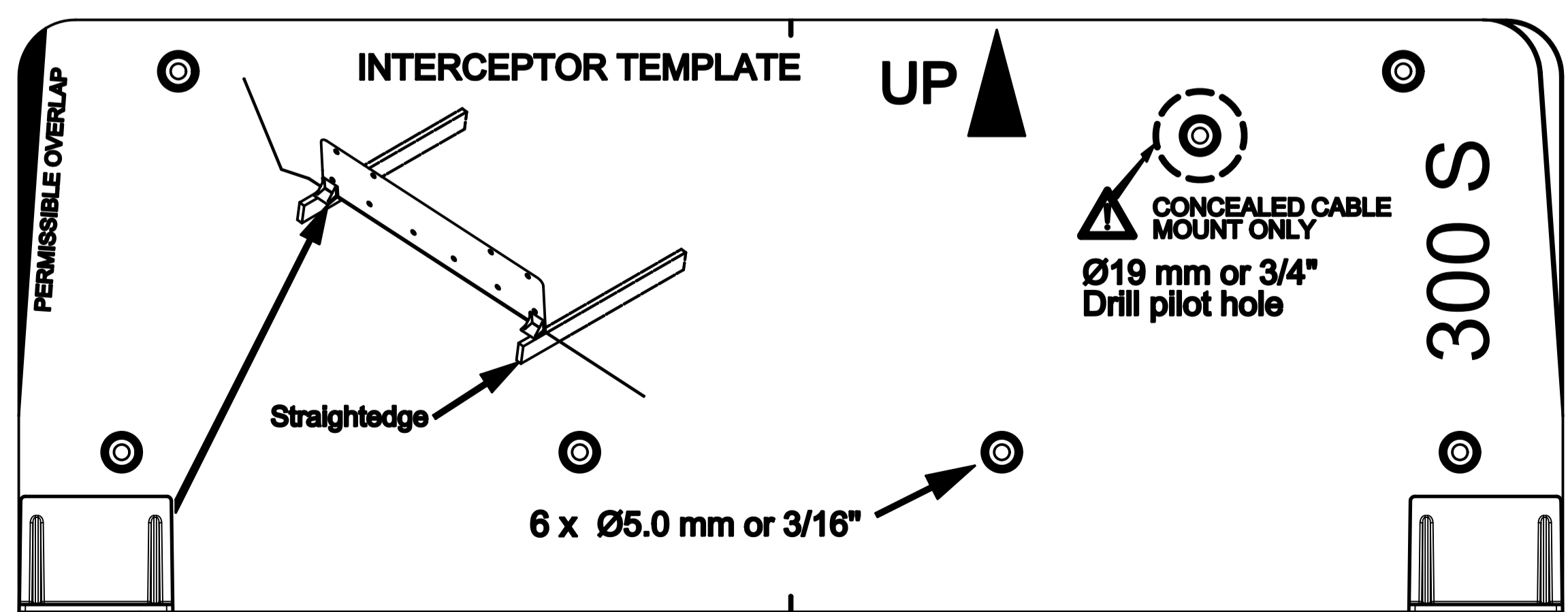
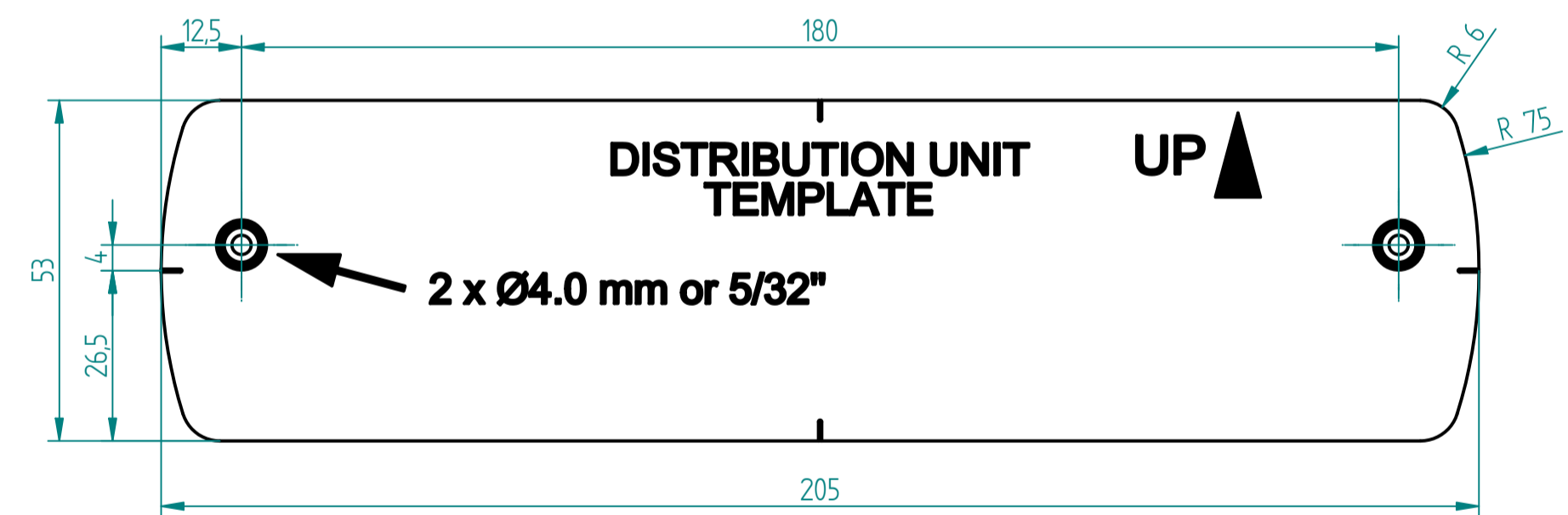
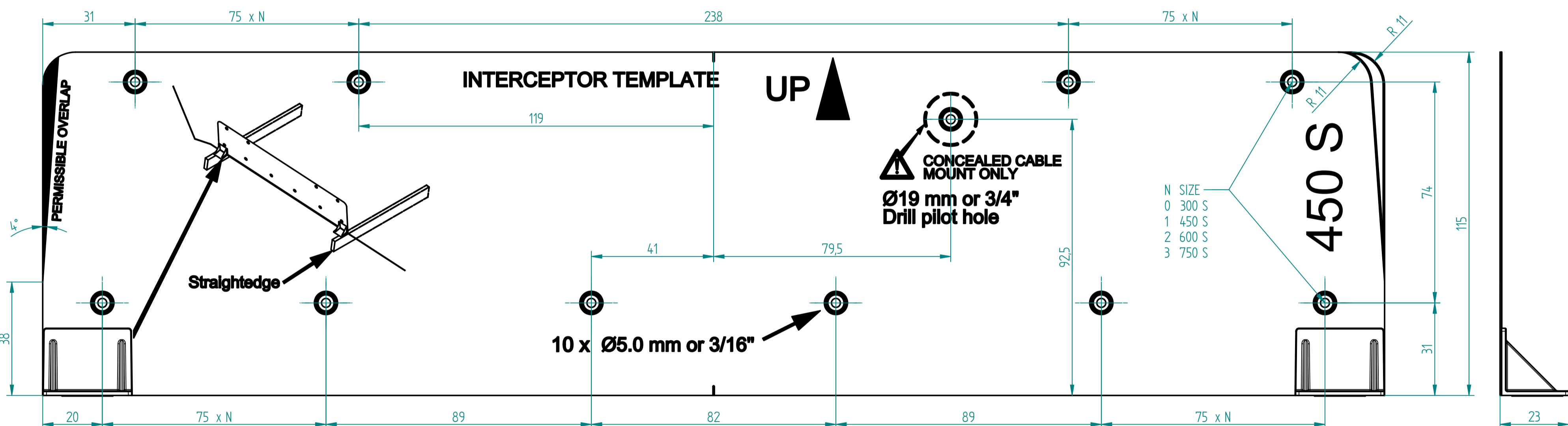
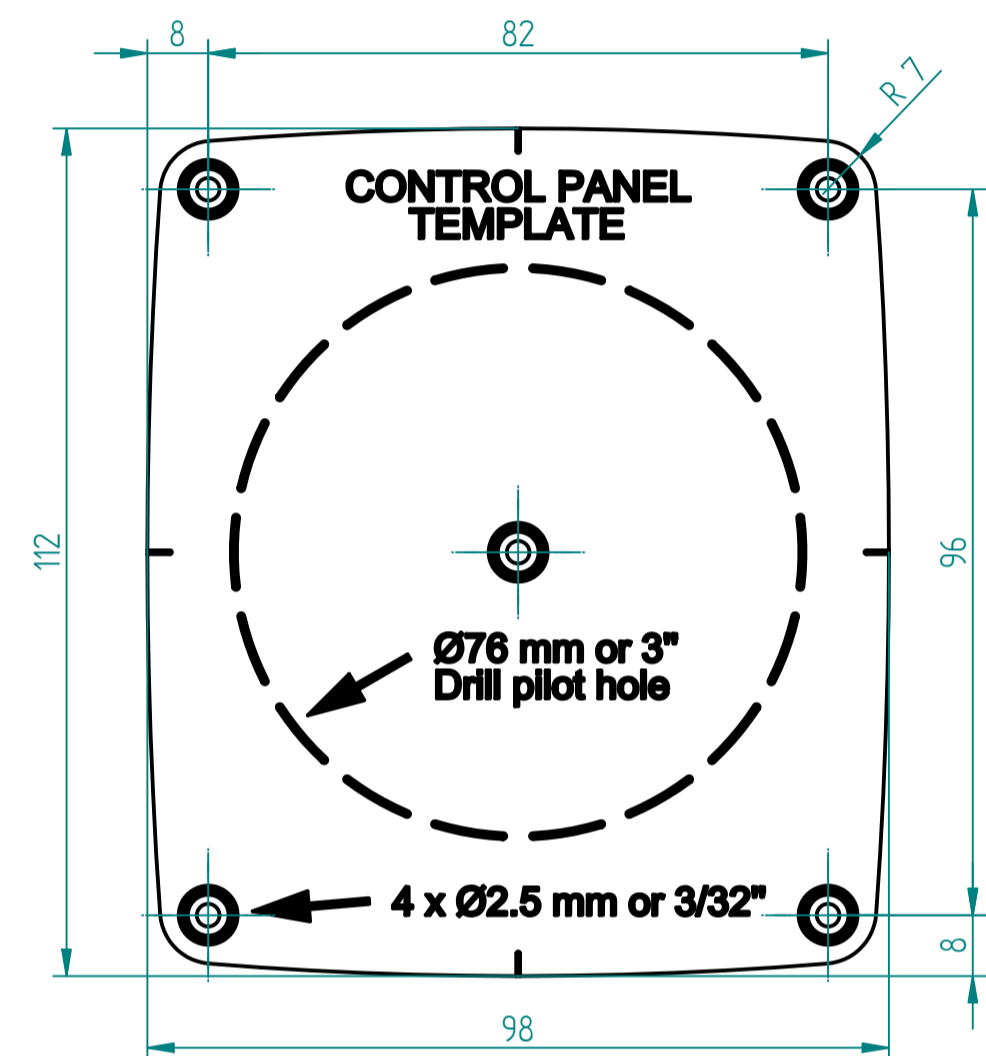
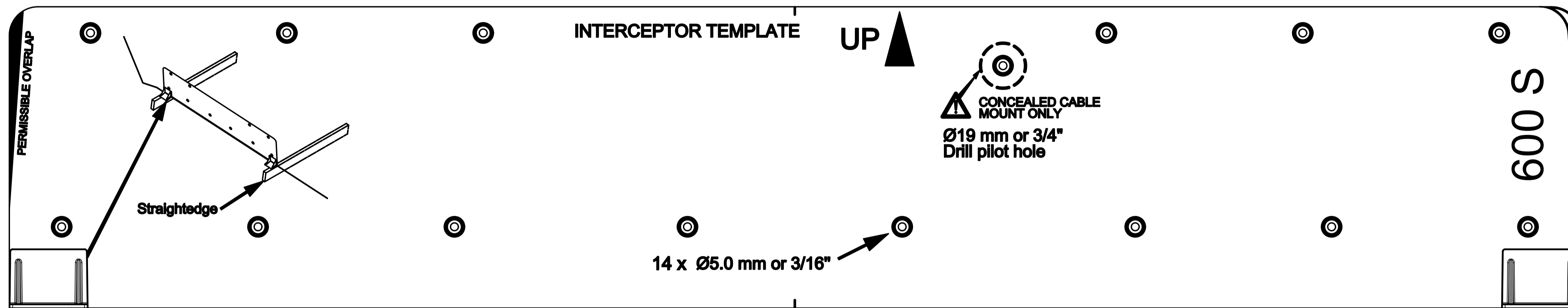
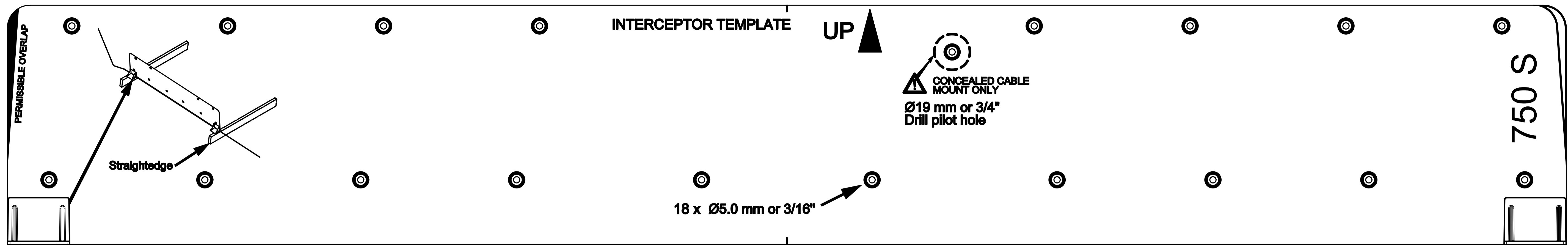


REV	DESCRIPTION	DATE	APPROVED
R1B	TEMPLATE SIZE ADDED	150321	JD



ALL DIMENSIONS IN mm (DIMENSIONS WITHIN BRACKETS [INCHES])		DO NOT SCALE DRAWING	
COPYRIGHT 2015. ALL RIGHTS RESERVED BY ZIPWAKE AB. THE INFORMATION CONTAINED IN THIS DRAWING SHALL NOT BE REPRODUCED IN PART OR AS A WHOLE WITHOUT THE PRIOR WRITTEN PERMISSION OF ZIPWAKE AB.			
NAME		DATE	TITLE
DRAWN JD		150123	SERIES S DRILL TEMPLATES
CHECKED		SIZE A1	DWG. NO. 3015011
APPROVED		FILE NAME: 3015011_Zipwake_Series_S_Drill_Templates_R1B.dwg	REV R1B
UNLESS OTHERWISE SPECIFIED GENERAL TOLERANCES ACCORDING TO ISO 2768-1-mS		SCALE: 1:1	WEIGHT: SHEET 1 OF 1

ZIPWAKE