


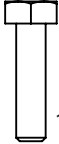
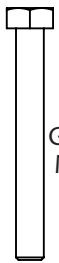

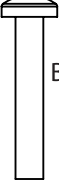

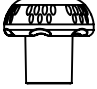


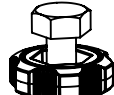
# RAILBLAZA®

HOLD EVERYTHING...

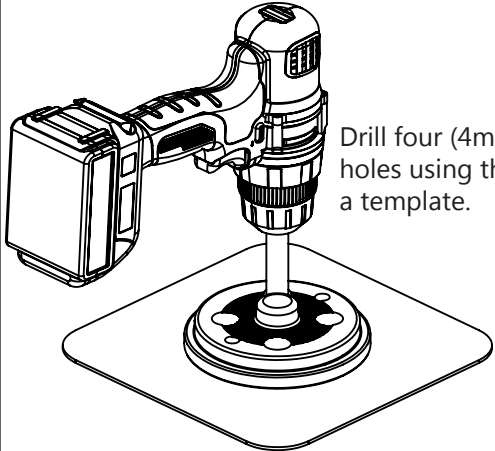
## RAILBLAZA HEXX™ FISH FINDER MOUNT INSTRUCTION SHEET.



Online instruction sheet.

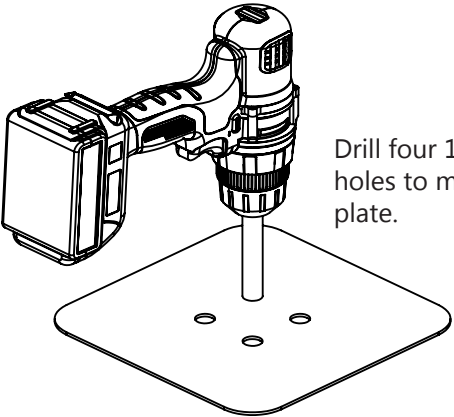
 A x 4 1/4"-20	 D x 4 1/4"-20	 G x 1 M6	 Use 1 x A & I to Create F
 B x 4 M6	 E x 4	 H x 1	 I x 4
 C x 4 M6			 Use 1 x D,E,I to Create J

**1**



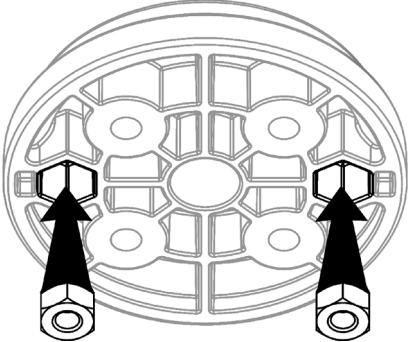
Drill four (4mm - 3/16") pilot holes using the base plate as a template.

**2**



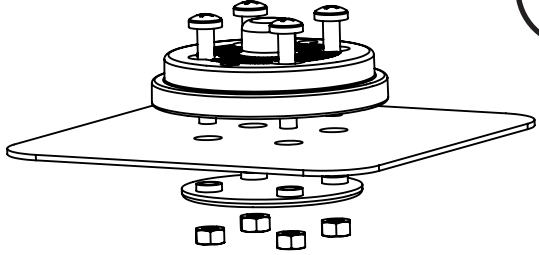
Drill four 10mm (25/64") holes to mount the base plate.

**3**



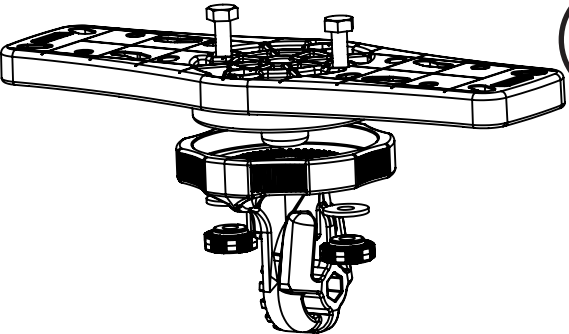
Push two A nuts into the hex recess in the base plate.

**4**



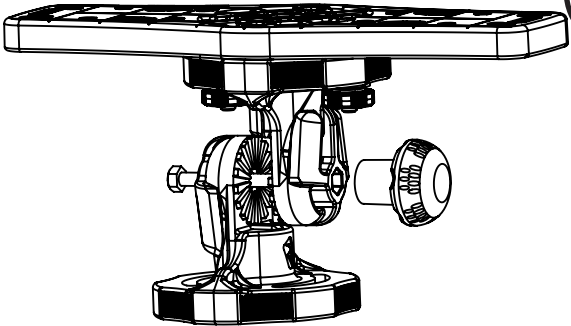
Push the backer plate into the four holes with the R facing down and bolt the base plate using the B Philips screws and C nuts.

**5**



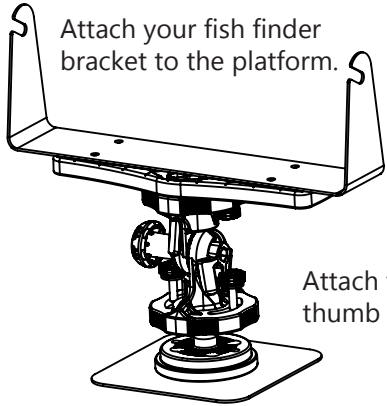
Attach large platform to the top knuckle using two bolt D's, add a washer E to each bolt and hand tighten with thumb nuts F.

**6**



Attach the two knuckles (mid sections) together with G and tighten with knob H.

**7**



Attach your fish finder bracket to the platform.

Attach to the base plate using thumb screw J.

Now the install is complete!