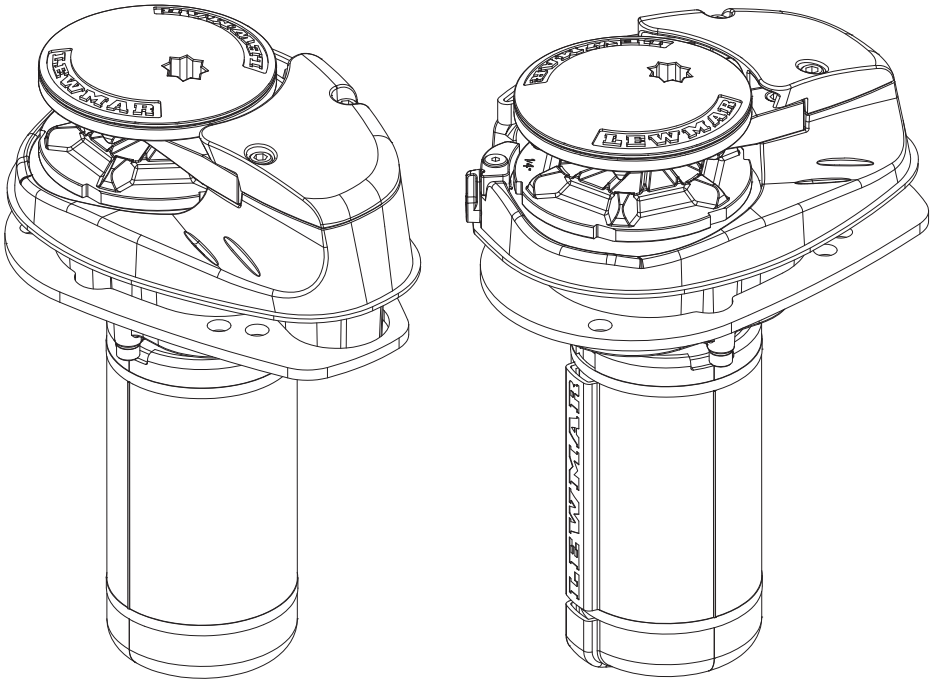


# Lewmar V700 Vertical Windlass

65001022 Issue 4



## 1. Introduction

Dear Customer,

Thank you for choosing Lewmar. Lewmar products are world renowned for their quality, technical innovation and proven performance. With a Lewmar product you will be provided with many years of outstanding service.

### Product support

Lewmar products are supported by a worldwide network of distributors and Authorised Service Representatives. If you encounter any difficulties with this product, please contact your national distributor, or your local Lewmar dealer. Details are available at: [www.lewmar.com](http://www.lewmar.com)

### CE Approvals

For CE approval certificates contact Lewmar.

### Important information about this manual

Throughout this manual, you will see safety and product damage warnings. You must follow these warnings carefully to avoid possible injury or damage.

The type of warnings, what they look like, and how they are used in this manual are explained as follows:

#### WARNING!

This is a warning against anything which may cause injury to people if the warning is ignored. You are informed about what you must or must not do in order to reduce the risk of injury to yourself and others.

#### SAFETY SYMBOL

When you see the safety symbol it means: "Do not..."; "Do not do this"; or "Do not let this happen".

## 2. Safety Notice

IMPORTANT: Read these notes before continuing.

 WARNING!

### 2.1 Windlass general

Classification Societies and Lewmar require that a vessel at anchor must have its chain/rode held by a chain stopper or equivalent strong point at all times

At all times it is the responsibility of the boat operator to ensure that the anchor and rode are properly stowed for the prevailing sea conditions. This is particularly important with high-speed powerboats, because an anchor accidentally deploying while under way can cause considerable damage. An anchor windlass is mounted in the most exposed position on a vessel and is thus subject to severe atmospheric attack resulting in a possibility of corrosion in excess of that experienced with most other items of deck equipment. As the windlass may only be used infrequently, the risk of corrosion is further increased. It is essential that the windlass is regularly examined, operated and given any necessary maintenance.

Please ensure that you thoroughly understand the operation and safety requirements of the windlass before commencing the installation. Only persons who are completely familiar with the controls and those who have been fully made aware of the correct use of the windlass should be allowed to use it. If there is any doubt of how to install or operate this unit please seek advice from a suitably qualified engineer.

- Windlasses used incorrectly could cause harm to equipment or crew.
- Windlasses should be used with care and treated with respect.
- Boating, like many other activities can be hazardous. Even the correct selection, maintenance and use of proper equipment cannot eliminate the potential for danger, serious injury or death.
- Lewmar windlasses are designed and supplied for anchor control in marine applications and are not to be used in conjunction with any other use.

- Keep limbs, fingers, clothing and hair clear of windlass, rode and anchor during operation. Severe bodily harm could result.
- Ensure there are no swimmers or divers nearby when dropping anchor.
- Windlasses must not be used as the sole means of securing the anchor to the bow fitting especially under storm conditions. Anchors should be independently secured to prevent accidental release.
- Classification Societies require that a vessel lying at anchor must have its anchor rope/chain secured to a chain stopper or other suitable independent strong point.
- A windlass should never be used as a mooring bollard, the anchor rode **MUST** be secured to a mooring cleat, chain stopper or other designated strong point. Using the windlass to secure the rode will damage the windlass.
- Do not use windlass for ANY purpose other than deployment and recovery of anchor.
- The circuit breaker in this product must never be deactivated or otherwise bypassed, it is intended to protect the motor and cables from overheating and damage.
- Always switch off this windlass at the circuit breaker/isolator when not in use.
- It is the unavoidable responsibility of the owner, master or other responsible party to assess the risk of any operation on the vessel.
- Windlass must not be operated whilst under the influence of alcohol or drugs.

## 2.2 Fitting

- This equipment must be installed and operated in accordance with the instructions contained in this manual. Failure to do so could result in poor product performance, personal injury and/or damage to your boat.
- Consult the boat manufacturer if you have any doubt about the strength or suitability of the mounting location.

## 2.3 Electrical

- Make sure that the boat's battery power supply has been switched off before starting the installation.
- This product requires installation by a suitably qualified electrical engineer.




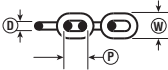
## 3. Specifications

### 3.1 Gypsy Specifications

Gypsies fitted to the V700 range of windlasses are ideally suited to handling our factory made Rope/Chain combination rodes, which consist of rope spliced to a chain tail.

Ropes used must be windlass grade, medium lay nylon. Ropes from different manufacturers have wide variations in stretch and consistency in diameter. Therefore, rope and chain from other manufacturers may require some experimentation to determine the optimum size.

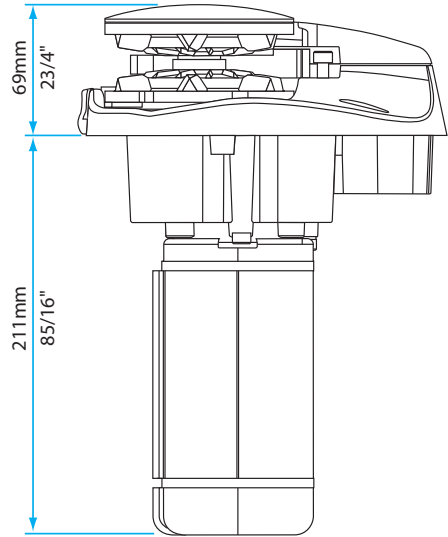
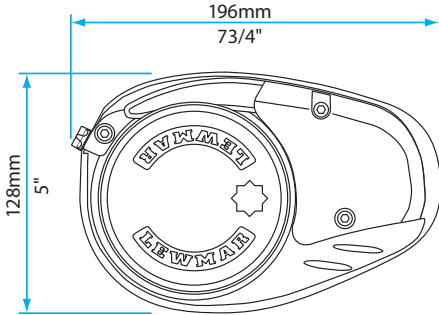
Should you have difficulty in matching a gypsy to your chain please consult your local agent or our international network of distributors.

								
			D (mm)	D (inch)	P (mm)	P (inch)	W (mm)	W (inch)
68001024 6 - 7 mm - ¼" Gypsy kit	12 mm (½") 3 Strand and 8 Plait	6mm DIN 766	6	0.236	18.5	0.728	20.4	0.803
		6 mm ISO 4565	6	0.236	18	0.709	21.6	0.850
		7 mm DIN 766	7	0.276	22	0.866	23.8	0.937
		¼" ACCO ISO G43 (G4)	7	0.276	21.3	0.840	24.4	0.962
		¼" ACCO BBB (3B)	7.14	0.281	22.1	0.870	25.2	0.992

## 3.2 V700 Specifications

MOTOR SUPPLY		MOTOR POWER		MAX. PULL		WORKING LOAD LIMIT		MAX. LINE SPEED		TYPICAL LINE SPEED		NORMAL CURRENT DRAW	CIRCUIT BREAKER	WEIGHT	
Voltage	Watt	kg	lb	kg	lb	m/min	ft/min	m/min	ft/min	Amp	Amp	kg	lb		
12	320	320	700	79	175	25	82	15	50	45	35	6.5	14		

## 3.3 Dimensions Diagram



## 4. Installation

### 4.1 Basic requirements

Each installation requires the following tools:

#### Windlass Installation

An appropriate marine sealant and the following:

- 9.5 mm (3/8") Drill
- 65 mm (2 1/2") Hole Saw
- 115 mm (4 1/2") Hole Saw
- Hack saw

#### Wiring Installation

- Crimping Pliers / Wire Stripper
- Suitable electrical cable and crimp terminals

## 4.2 Accessories

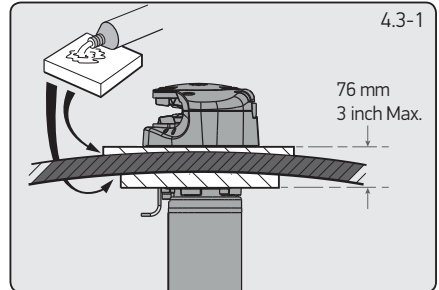
Use only genuine Lewmar parts and accessories to ensure top performance and eliminate the risk of voiding your warranty. For replacement parts, please see §9 or visit your dealer or [www.lewmar.com](http://www.lewmar.com)

## 4.3 Fitting the windlass to the deck

1. If the deck is not flat, a suitable mounting pad may be required to take up camber or sheer.

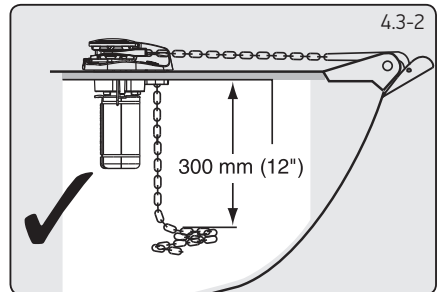
Decks that are thin, or of foam or balsa laminate construction, will require reinforcement in order to spread the loads that will be applied to the deck while the windlass is in use.

The standard 8 mm (5/16") threaded mounting studs supplied suit deck and packing thickness of up to 76 mm (3"). These are adequate for most installations.



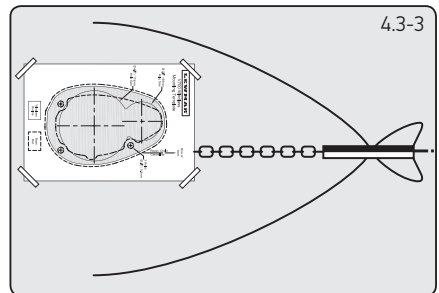
2. Place the windlass on the deck and decide upon a position for it with reference to the vessel's bow roller (Fig. 4.3-2) and the chain locker below. Rode lead from the roller should ideally be fed horizontally back to the top of the gypsy and along its centerline (Fig. 4.3-3).

There must be sufficient vertical fall for the chain or rope, even with a full locker, to draw the rode from the gypsy when hauling in.



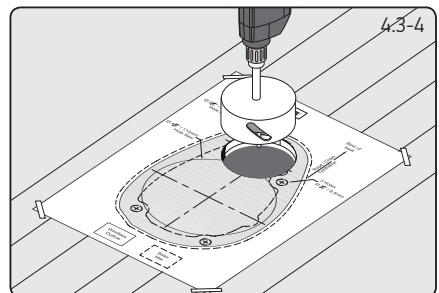
3. Place the mounting template on the deck or mounting pad in the desired position for the windlass and hold it in place using adhesive tape.

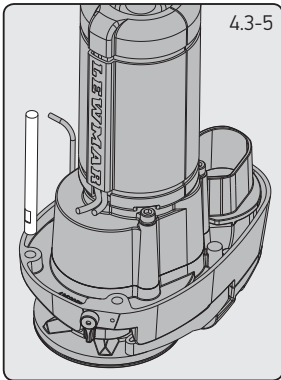
NOTE: Check the scale of the template matches the winch.



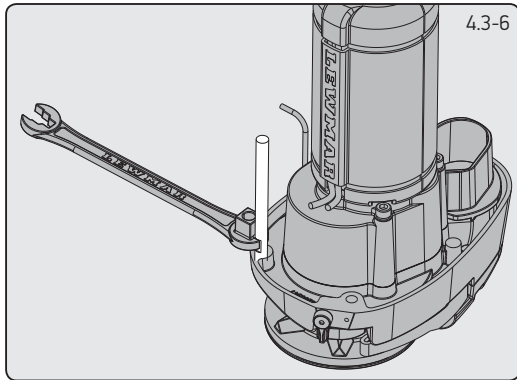
4. Using a 10 mm (3/8") diameter drill, make the three holes for the mounting studs. With a 65 mm (2 1/2") diameter hole saw, make the hole for the rode to pass through with a 115 mm (4 1/2") diameter hole saw, make a hole for the motor gearbox to pass through.

When all the holes have been made, remove the template. To help avoid water absorption by the deck, apply an appropriate marine sealant to the freshly cut hole edges.





4.3-5

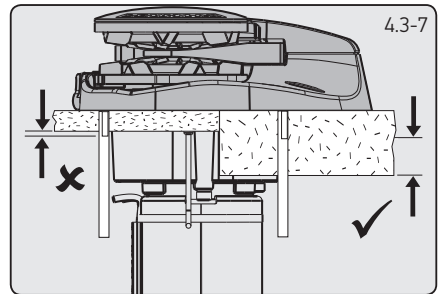


4.3-6

5. Fully screw the three mounting studs into the base of the windlass. This can be done, quite simply, using the multi-tool wrench supplied. Screw the studs into the base finger tight, with the flats towards the base as shown (Fig 4.3-5).
6. Next, using the wrench on the flats, tighten the studs until they bottom out in their holes. Do this to each of the studs in turn.

7. Place the base mat in position on the deck, optionally, apply a suitable sealant to the base of the windlass, any mounting pad or around the studs. As a rule of thumb, if the flats on the studs are visible below deck, the deck and/or any packing is likely to be too thin to offer adequate support when the windlass is under load.

NOTE: If using silicone or other rubbery type sealant, it is advisable to allow curing of the sealant before final tightening of the mounting nuts. Trim the studs back to 6 mm ( $\frac{1}{4}$ " ) below the fully tightened nuts.




4.3-7

## 5. Electrical wiring

### 5.1 Electric cable selection

Lewmar recommends the installer source and install cable that meets the requirements of the standards and regulations relevant to the installation and codes of practice. The cable table gives recommended cable sizes based on total length of cable required, from the battery, following the route of the cables.

Windlass performance is directly related to cable size and length. Voltage drop over the complete wiring run must not exceed 10%.

 DO NOT confuse cable length with the length of the vessel

CABLE SIZING FOR LENGTH OF CABLE RUN					
0 - 10 m	0 - 33 ft	11 - 18 m	34 - 60 ft	19 - 24 m	61 - 80 ft
10 mm <sup>2</sup>	8 AWG	16 mm <sup>2</sup>	6 AWG	25 mm <sup>2</sup>	4 AWG

### 5.2 Wiring

Plan the installation to suit the controls and give the operator a full view of the windlass. The wiring system should be of the fully insulated type, which avoids possible electrolytic corrosion problems. We recommend the use of type III stranded, tinned copper wire with copper crimp terminals. Most modern installations are negative return (negative ground) but polarity should be checked.

Overload protection, in the form of the circuit breaker/fuse supplied, must be built into the windlass wiring circuit.

 WARNING!

**NOTE:** The circuit breaker should be positioned close to the battery in a dry, readily accessible place.

The breaker must be manually reset should an overload occur that causes it to trip to the off position.

If you are not sure you understand these guidelines, seek professional help. Ensure that the installation complies with USCG, ABYC, NMMA or other local regulations.

### 5.3 Control switch installation

Follow the mounting instructions supplied with the switch.

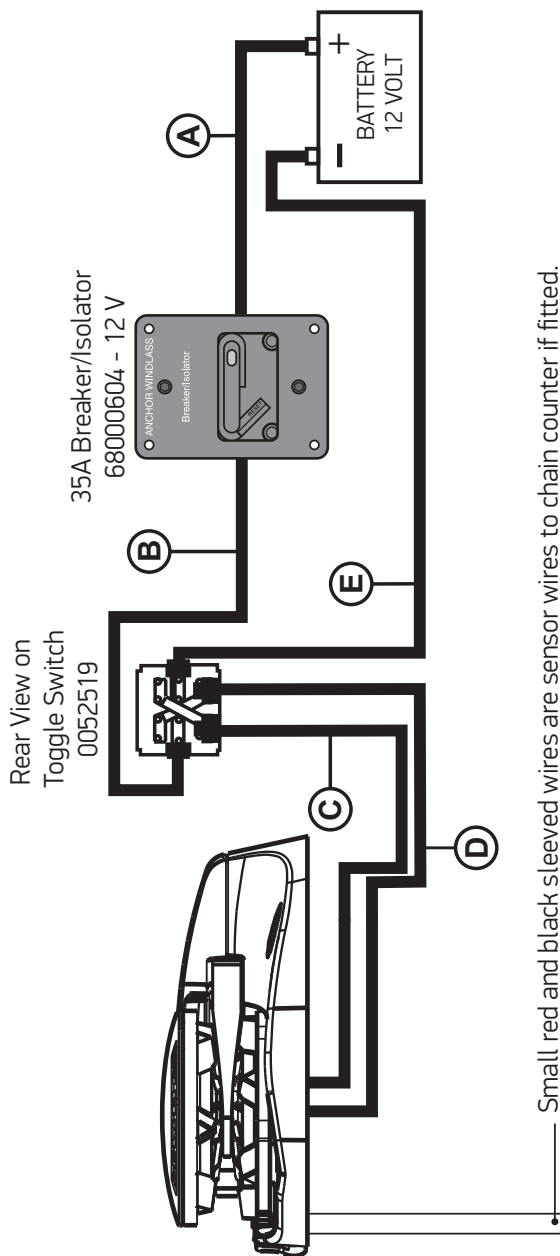
**NOTE:** In a multi station installation all switches must be wired in a parallel circuit.

## 5.4 V700 Wiring diagram (toggle switch)

Choice of cable thickness depends on total cable length:

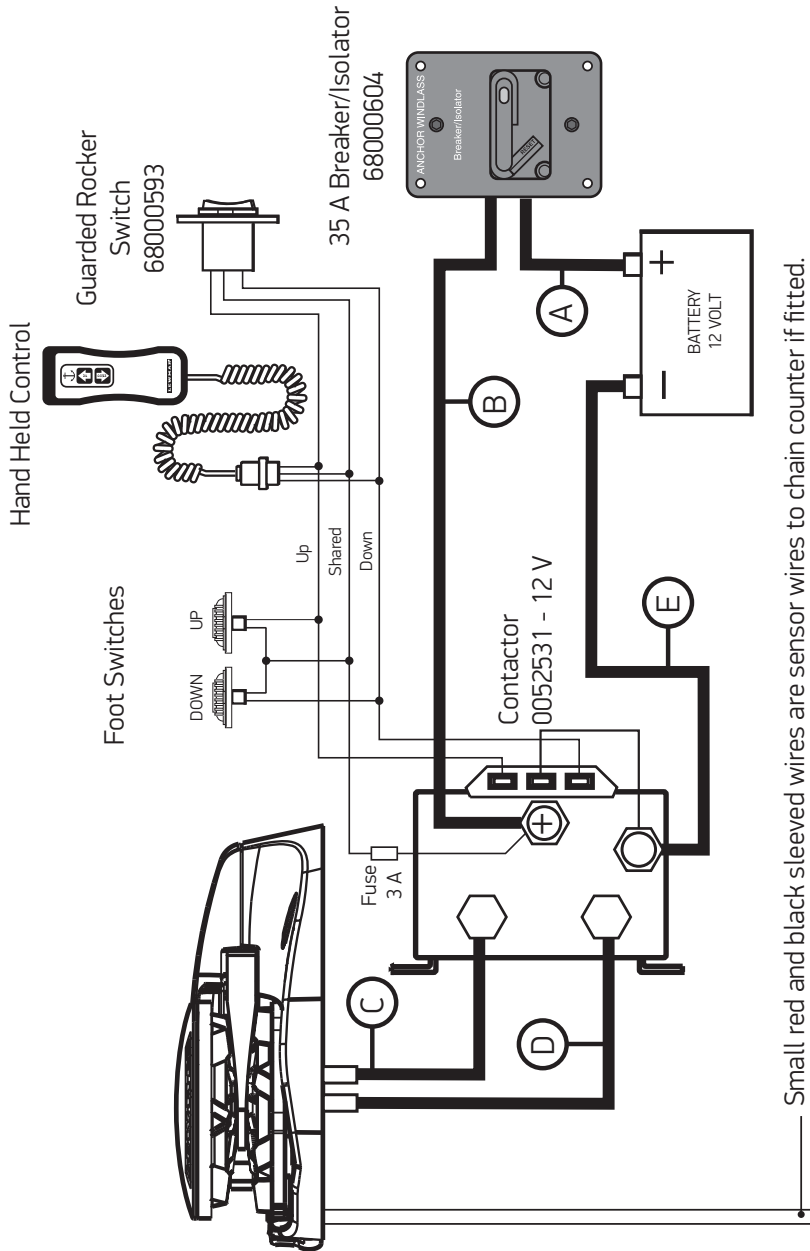
$$A + B + C + D + E =$$

Battery to windlass, windlass to battery.





**5.5 V700 Wiring diagram (contactor)**



Small red and black sleeved wires are sensor wires to chain counter if fitted.

## 6. Operation

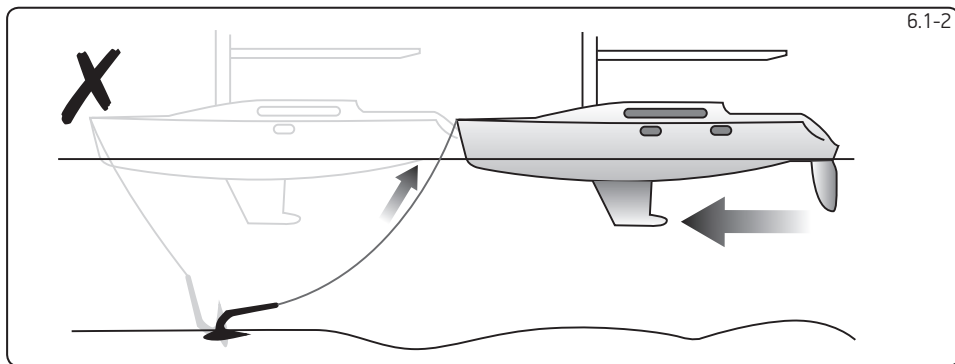
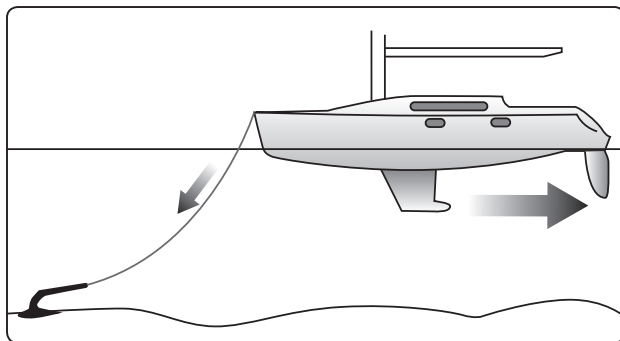
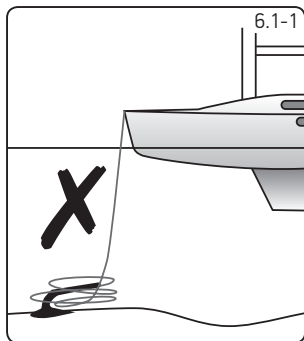
### 6.1 Operating tips

Vessels at anchor will snub on the rode and this can cause slippage or apply excessive loads to the windlass.

1. When anchoring, power rode out allowing the vessel to take up stern away preventing the rode tangling with anchor. Use this method for mooring stern first to a jetty.
  2. To aid recovery, under power, move vessel towards anchor but not over and beyond, as this can cause damage to topside.
- As anchor approaches the vessel, use careful adjustments of controls to avoid damaging vessel.
  - Scope: As a guide it is recommended that the depth of chain to rope is 7 to 1 at anchor.

⊘ The rode should be secured directly to a bollard, sampson post or cleat and a chain secured by a chain stopper.

⊘ When retrieving anchor do not overload or stall in windlass.

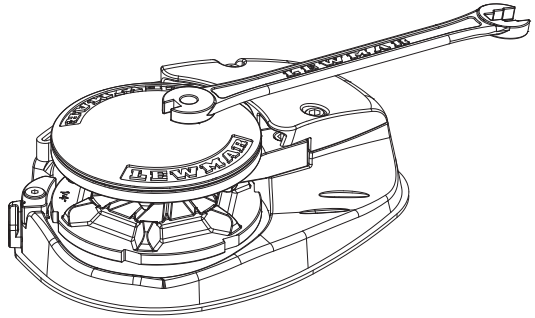


## 6.2 Use of clutch

To tighten the clutch - using the clutch lever supplied, rotate the gypsy drive cap (31) clockwise, this will grip the gypsy, effectively locking it to the windlass geartrain.

To slacken the clutch - turn the gypsy drive cap anti-clockwise, this will free the gypsy allowing it to turn independently of the windlass geartrain.

⚠ Always remove the handle after use.

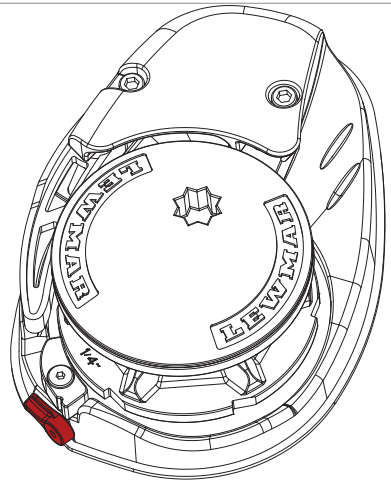


## 6.3 Letting go under gravity

⚠ Always check the fallsafe pawl (32) is disengaged from the gypsy and held clear of it by the fallsafe lever (34).

Insert the clutch lever into the gypsy drive cap (31) and turn it clockwise to ensure that the clutch is tight. Release any independent anchor locks. If it is safe to do so, pull back on the clutch lever until the anchor and rode begin to pay out. Control the rate of descent of the anchor by pushing the clutch lever forwards. When sufficient rode has been paid out, fully tighten the gypsy drive cap once again.

⊘ For maximum safety and to prevent damage, the fallsafe pawl **MUST NOT** be left to take the entire force from the anchor rode while at anchor. The rode should be made fast directly to a bollard, sampson post or cleat.



## 6.4 Letting go under power

Release any independent anchor locks.

If it is safe to do so, let go under power by operating a 'Down' control. Release the control when sufficient rode has been paid out.

## 6.5 Lying to anchor safely

Vessels at anchor will snub on the rode and this can cause slippage or apply excessive loads to the windlass.

## 6.6 Hauling in

Untie the bridle or replace the rode in the gypsy.

If it is safe to do so, operate an 'Up' control.

The fallsafe pawl (32) does not need to be disengaged during retrieval as it will act as a ratchet. When the anchor has been retrieved and is stowed in the bow roller, the fallsafe pawl should be left engaged in the gypsy to prevent accidental deployment of the anchor whilst underway.

REMEMBER - The fallsafe pawl DOES need to be disengaged from the gypsy before the anchor can be let go again.

Having retrieved the anchor, ensure it is independently secured to prevent its accidental release.

## 6.7 Manual recovery

Insert clutch lever supplied into gypsy drive cap (31) and turn clockwise to haul in the anchor.

## 6.8 Operating tips

When anchoring, it is best to power the rode out, allowing the vessel to take up stern way before full scope is let out. This helps prevent the rode from becoming tangled on top of your anchor on the seabed.

To aid anchor recovery, we recommend that the vessel's engine be used to assist by moving the vessel towards the anchor. We do not recommend that the vessel be motored over and beyond the anchor, as this can cause the rode to damage your topsides.

As the anchor approaches the stemhead, the last few feet of rode should be inched in by judicious use of controls to avoid damage to the vessel.

Having retrieved the anchor, ensure the fallsafe pawl is engaged in the gypsy to lock it and prevent accidental deployment of the anchor whilst underway.

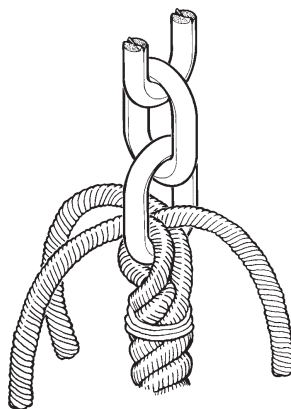
When mooring stern to, at a suitable distance from the jetty, deploy the anchor to prevent the bow from swinging. Gently pay out the rode under the influence of the stern way of the vessel as it approaches the jetty. Make fast your vessel with warps from the stern.

## 6.9 Joining rope to chain

When splicing rope to chain, select a length of chain that will avoid having the splice positioned in the gypsy when the anchor comes over the stemhead. Furthermore, ensure that the splice is no tighter than the rope.

A hard splice is not desired.

- With whipping twine or similar, seize your rope 200 mm (8") from the rope's end and unlay the strands.
- Pass one strand through the chain link from one side and the other two strands from the opposite side. Remove seizing and complete a back splice in the normal manner for four full tucks.
- With a hot knife pare down the three strands by one half of their diameter and continue with two further tucks.
- With a hot knife, carefully melt the ends back into the line. Because of wide variations in rope type and construction some experimentation may be required.
- Whip the line with permanent whipping at the beginning of the taper.
- The method of joining illustrated is designed to minimize chafe between the rope and chain but as a matter of prudent seamanship the splice should be checked regularly and remade if there is any evidence of wear.



## 7. Servicing

⚠ WARNING! Ensure rode is adequately secured to an independent strong point.

⚠ WARNING! Isolate the windlass using circuit breaker/isolator.

### 7.1 Servicing schedule

#### Regularly:

- Wash down the windlass using fresh water.
- Examine all electrical connections for corrosion, clean and lightly grease.
- Check anchor locker drain to avoid water damage to motor/gearbox.
- If anchor locker fills with water, check motor is dry and free of rust.
- Check anchor rode splice for wear.
- Check gypsy as it is a high wear item and will last longer if properly used. When re-assembling the cone and gypsy, add a small smear of grease to the contact surfaces.
- Check mounting studs after first two or three recoveries and regularly thereafter.

#### Annually:

- Check electric cables for damage. Repair/renew as required.
- Strip the above deck components, clean and lightly grease.
- Check motor/gearbox for corrosion, clean and repaint with a suitable marine grade oil based enamel paint.
- Remove electric motor cover and blow dust away from brushes using foot pump or similar taking care not to breathe any dust.

### 7.2 Gypsy replacement/service

- Remove the Gypsy Drive Cap (31), anti-clockwise using the clutch operating lever.
- Withdraw the Drive washer (21)
- Remove the Socket Head Cap Screw (40) that retains the Stripper using a (5mm) Allen Wrench.
- Pull the Control Arm (30) back to clear the Gypsy
- Remove the Gypsy Assembly (37).
- To replace the Gypsy, reverse the above procedure.

### 7.3 Control arm replacement

- This should be carried out with the Gypsy (37) removed as detailed above.
- To remove the Control Arm (30): unscrew the Control Arm Shoulder Screw (24) using a (4 mm) Allen Wrench and remove screw.
- Remove the Control Arm (30) and Torsion (12) Spring from the base plate.
- To replace the Control Arm, reverse the above procedure.

### 7.4 Main shaft lubrication

Note: The geartrain and its bearings have been lubricated for you with SFG 100 grease and should require no regular attention. SFG is a white synthetic grease containing PTFE. Use grease of a similar specification throughout.

- It is recommended that the external Drive Shaft components be stripped, cleaned and re-greased at least annually.
- To do this, the Gypsy Assembly (37) should be removed as detailed above.
- Inspect the Main Shaft (20) and Gypsy (37) for damage before reassembly.

### 7.5 Fall safe pawl replacement

- This should be carried out with the Gypsy (37) removed as detailed above.
- Turn the fall safe lever (34) so it is horizontal.
- Remove fall safe shoulder screw (35) using allen wrench.
- Lift off fall safe pawl (32). Remove fall safe spring (36).

- Replace new part by reversing the above procedure.

## 7.6 Fall safe lever replacement

- Turn fall safe lever (34) so it is horizontal.
- Remove socket screw (6) using allen wrench.
- Remove fall safe lever (34).
- To refit use thread lock on the socket screw (6).
- Screw down screw (6) finger tight and leave to cure before operating fall safe lever (34).

## 8. Trouble shooting

### 8.1 Electric windlass

1. Anchor rode pays out independently while windlass is not in use.

This problem is a result of not securing the anchor rode combined with the gypsy drive cap being slack. Tighten the gypsy drive cap using the winch handle and always secure the anchor rode independently of the windlass when not in use.

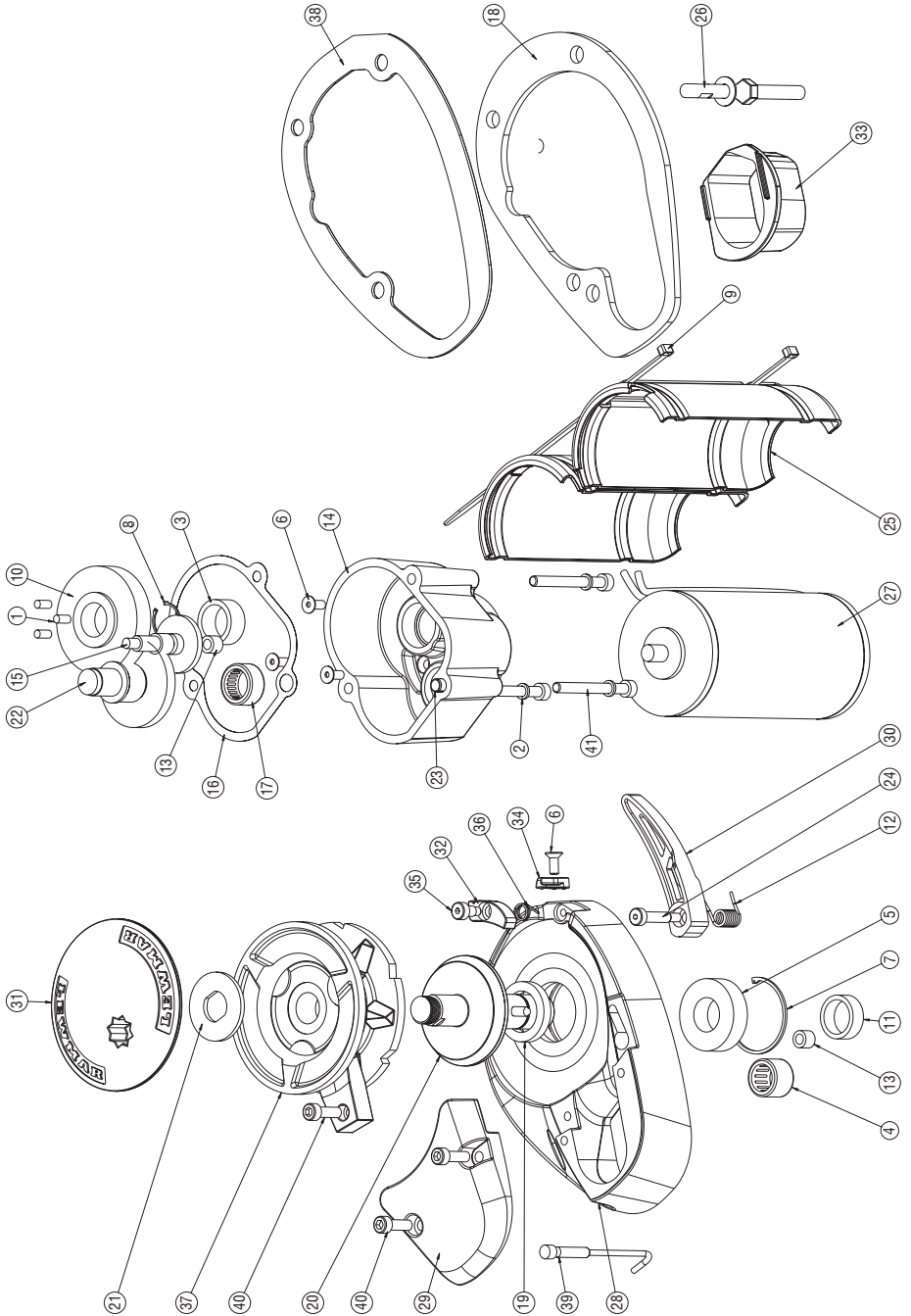
2. Failure to operate or sluggish operation.

- The majority of these problems are electrical in nature. It is essential that the proper voltage be maintained. The proper voltage on a 12 Volt system is 13.5 Volts (24 Volt system is 26.5 Volts), constant low voltage will damage motor.
- Ensure electrical cable size is large enough to handle the current draw and keep voltage drop within acceptable limits.
- Check control switches, connections, battery condition, isolator switch, fuse and motor for operation failure.

#### Failure to Operate Troubleshoot Chart: Reversing Toggle Control Switch (Part No. 0052519)

Is there voltage at the input terminal (positive) to the control switch?		If no voltage is present, the battery isolation switch is OFF, the breaker is tripped or a fuse has blown. The battery may also have been dead or disconnected.
YES ▾	NO ▶	
Check voltage at the output terminals of the control switch with the switch on forward then reverse. Is there voltage at either output terminal for forward then reverse?		Control switch is defective.
YES ▾	NO ▶	
Replace motor.		
<b>Sluggish Operation Troubleshoot Chart</b>		
Is windlass overloaded?		Ease the load and ensure the battery is well charged.
YES ▾	NO ▶	
Check the voltage across the motor leads with the windlass on. (Proper voltage is 13.5 V. Constant low voltage will destroy the motor). Is the voltage low? (Below 11.0 V on a 12 V system).		There is a severe voltage drop in the circuit. Check for undersized cables, poor connections or corroded connections. Also check for resistance across the battery, isolation switch or solenoid. (Feel them to see if they are heating up).
YES ▾	NO ▶	
Is the voltage correct? (Above 11.0 V and anchor is not fouled).		The motor is defective. Replace the motor.
YES ▶		

**9- Part list**



## 9.1 Service kits

KIT NO.	KIT DESCRIPTION	ITEMS INCLUDED (QTY.)
66000099	Clutch Lever	Clutch Lever (1)
66000600	Control Arm Kit	12(1), 24(1), 30(1)
66000601	Gypsy Cap Kit	21(1), 31(1)
66000602	Mounting Kit 5/16" USA	18(1), 26a(1), 33(1), 38(1)
66000603	Gypsy RC 1/4" G4 Ø 7mm Kit	37a(1), 40(1)
66000604	Gypsy RC 6 mm DIN 766 Kit	37b(1), 40(1)
66000605	Mounting Kit Metric	18(1), 26b(1), 33(1), 38(1)
66000606	Chain Pipe Cover	29(1), 40(2)
66000607	Fall Safe Kit	6(1), 32(1), 34(1), 35(1), 36(1)
66000608	Bearing/Seal Kit	3(1), 4(1), 5(1), 7(1), 13(2), 16(1), 17(1), 19(1)
66000609	Driveshaft Kit	1(3), 8(1), 11(1), 16(1), 20(1), 21(1)
66000610	Motor Kit	6(3), 9(2), 16(1), 25(1), 27(1)
66000611	Gearcase Complete	2(3), 3(1), 13(1), 14(1), 16(1), 17(1), 23(1), 41(3)
66000612	Gear Set	1(3), 8(1), 10(1), 15(1), 16(1), 22(1)
66000613	Compound Gear Assy.	16(1), 22(1)
66000614	1st Compound Gear	15(1), 16(1)
66000615	Magnet & Sensor Kit	39(1)

## 9.2 Parts list key

ITEM	DESCRIPTION
1	SS Roller
2	M6 Spring Washer
3	Needle Roller Bearing
4	Roller Clutch
5	Ball Bearing
6	M5 x 12 CSK Socket Screw
7	Internal Circlip
8	External Circlip
9	Black Nylon Cable Tie 200 mm
10	Mainshaft Gear 48 Teeth
11	Mainshaft Spacer
12	Control Arm Torsion Spring
13	Needle Roller Bearing
14	Gearcase
15	1st Compound Gear
16	Gear Case Gasket
17	Needle Roller Bearing
18	Clamping Plate
19	Wiper Seal
20	Mainshaft
21	Drive Washer
22	2nd Compound Gear Assy.

23	Bush 6 x 12
24	Control Arm Shoulder Screw
25	Motor Cover
26a	Mounting Studs 5/16" (USA)
26b	Mounting Studs Metric M8
27	IP67 Motor, 320 W
28	Baseplate
29	Chainpipe Cover
30	Control Arm
31	Gypsy Drive Cap
32	Fall Safe Pawl
33	Chain Pipe Sleeve
34	Fall Safe Lever
35	Fall Safe Shoulder Screw
36	Fall Safe Spring
37a	Gypsy RC 1/4" G4 Ø 7 mm DIN766
37b	Gypsy RC 6 mm DIN 766
38	Basemat
39	Magnet & Sensor Kit
40	M6 x 20 mm SKT HD Cap Screw
41	M6 x 60 mm SHT HD Cap Screw



## 10. Warranty

### Limited Warranty and Key Terms of Supply by Lewmar

Lewmar warrants that in normal private pleasure boat usage and with proper maintenance its products will conform with their specification for a period of three years from the date of purchase by the end user, subject to the conditions, limitations and exceptions listed below. Any product, which proves to be defective in normal usage during that three-year period, will be repaired or, at Lewmar's option, replaced by Lewmar.

#### A CONDITIONS AND LIMITATIONS

- i Lewmar's liability shall be limited to the repair or replacement of any parts of the product which are defective in materials or workmanship.
- ii Responsibility for the selection of products appropriate for the use intended by the Buyer shall rest solely with the Buyer and Lewmar accepts no responsibility for any such selection.
- iii Lewmar shall not be liable in any way for Product failure, or any resulting loss or damage that arises from:
  - a. use of a product in an application for which it was not designed or intended;
  - b. corrosion, ultra violet degradation or wear and tear;
  - c. a failure to service or maintain the product in accordance with Lewmar's recommendations;
  - d. faulty or deficient installation of the product (unless conducted by Lewmar);
  - e. any modification or alteration of the product;
  - f. conditions that exceed the product's performance specifications or safe working loads.
- g. Abuse
- iv Product subject to a warranty claim must be returned to the Lewmar outlet that supplied the product for examination unless otherwise approved by Lewmar in writing.
- v This warranty does not cover any incidental costs incurred for the investigation, removal, carriage, transport or installation of product.
- vi Service by anyone other than authorized Lewmar representatives shall void this warranty unless it accords with Lewmar guidelines and standards of workmanship.
- vii Lewmar's products are intended for use only in the marine environment. Buyers intending to use them for any other purpose should seek independent professional advice as to their suitability. Lewmar accepts no liability arising from such other use.

#### B EXCEPTIONS

Cover under this Warranty is limited to a period of one year from the date of purchase by the end user in the case of any of the following products or parts of products:

- Electric motors and associated electrical equipment
- Electronic controls
- Hydraulic pumps, valves and actuators
- Hatch & Portlight weather seals
- Products used in "Grand Prix" racing applications
- Products used in commercial or charter applications
- Anchor rodes

#### C LIABILITY

i Lewmar's liability under this warranty shall be to the exclusion of all other warranties or liabilities (to the extent permitted by law). In particular (but without limitation):

a. Lewmar shall not be liable for:

- Any loss of anticipated turnover or profit or indirect, consequential or economic loss;
- Damages, costs or expenses payable to any third party;
- Any damage to yachts or equipment;
- Death or personal Injury (unless caused by Lewmar's negligence).

Some states and countries do not allow the exclusion or limitation of incidental or consequential damages, so the above limitation or exclusion may not apply to you

b. Lewmar grants no other warranties regarding the fitness for purpose, use, nature or satisfactory quality of the products.

ii Where applicable law does not permit a statutory or implied warranty to be excluded, then such warranty, if permitted by that state or country's law, shall be limited to a period of one year from the date of purchase by the end user. Some states and countries do not allow limitations on how long an implied warranty lasts, so this limitation may not apply to you.

#### D PROCEDURE

Notice of a claim for service under this warranty shall be made promptly and in writing by the end user to the Lewmar outlet that supplied the product or to Lewmar Limited at Southmoor Lane, Havant, Hampshire PO9 1JJ, England.

#### E SEVERANCE CLAUSE

If any clause of this warranty is held by any court or other competent authority to be invalid or unenforceable in whole or in part, the validity of the remaining clauses of this warranty and the remainder of the clause in question shall not be affected.

#### F OTHER RIGHTS

This warranty gives you specific legal rights, and you may also have other legal rights, which vary from state to state and country to country.

In the case of European States a Consumer customer (as defined nationally) has legal rights under the applicable national law governing the sale of Consumer Goods; this Warranty does not affect those rights.

#### G LAW

This warranty shall be governed by and read in accordance with the laws of England or the state or country in which the first end user is domiciled at the time of purchase of the product.

#### H DISPUTES

Any dispute arising under this warranty may, at the option of the end-user, be referred to alternative dispute resolution under the rules of the British Marine Federation or to the Courts of the State whose law shall govern the warranty or to the Courts of England and Wales. The British Marine Federation may be contacted at Marine House, Thorpe Lea Road, Egham, England, TW20 8BF

Notes:

**Notes:**

## **UK & International Distribution**

Lewmar  
Southmoor Lane  
Havant  
Hampshire  
PO9 1JJ  
UK

Tel: +44 (0)23 9247 1841  
Fax: +44 (0)23 9248 5720  
Email: [info@lewmar.com](mailto:info@lewmar.com)

## **USA**

Lewmar  
351 New Whitfield Street  
Guilford, CT  
06437  
USA

Tel: +1 203 458 6200  
Fax: +1 203 453 5669  
Email: [info@lewmarusa.com](mailto:info@lewmarusa.com)

# **LEWMAR®**

[www.lewmar.com](http://www.lewmar.com)

Part No 65001022 Iss.4